

StockRoom Baler®

V-4224 StockRoom Vertical Baler – 5 HP

PERFORMANCE SPECIFICATIONS:

Cylinder	4 B X 2 1/2 R X 32 S	102 B X 64 R X 813 S
Pump	6 GPM	23 liters/min
Motor	5 HP, single phase	3.7 kW
System Pressure	1800 psi (2000 psi, max.)	124.0 bar (137.9 bar, max)
Platen Force	22,600 lbs	10.25 mT
Platen Face Pressure	27 psi (846 platen sq. in.)	186 kN/m ² (platen 0.55 m ²)
Cycle Time	29 seconds	
Control Voltage	120 VAC, single phase	
Control Box	NEMA 4; UL Listed box & controls (22 mm)	
Controls	OFF/ON security key switch; 3 Position Selector Switch; EMRG STOP	
PLC	Microprocessor, programmable relay	
Interlock Switches	Interlocks prevent the baler from operating when the feed gate or bale door is open except when operated in manual mode during bale ejection.	

DIMENSIONAL SPECIFICATIONS:

Platen Penetration	11" (below door)	279 mm
Overall Width	68 3/4"	1746 mm
Overall Depth	40 1/2" (44 3/4" w/ opt. wire guides)	1029 mm (1137 mm)
Overall Height	101 3/8" (cylinder top); 71 _" (frame)	2575 mm (1810 mm)
Feed Height	34"	864 mm
Bale Chamber Depth	24"	610 mm
Bale Chamber Height	27"	686 mm
Feed Opening	42"L X 19"H	1067 mm X 483 mm
Bale Door Clearance (open)	48 5/8"	1235 mm

STRUCTURAL SPECIFICATIONS:

Body Side Plates	7 ga.
Floor & Floor Structure	8" & 6" structural channel
Top Cylinder Supports	8" & 6" structural channel
Platen Face & Wear Surfaces	6" structural channel & UHMW wear pads
Bale Door	7 ga. sheet, 3 x 3 structural tube top rail, 3" structural channel, and structural bar
Ejector	Automatically-engaged ejector
Paint Primer	bottom coat; Industrial grade top coat (high quality, low VOC, high solids)

BALE SPECIFICATIONS:

Bale Width	42"	1067 mm
Bale Depth	24"	610 mm
Bale Height	28" - 30"	711 – 762 mm
Bale Volume	16 cu. ft.	0.45 m ³
Bale Weight (OCC)	up to 450 lbs.	204 kg
Bale Tie-off	Insert wires through front and rear	
Bale Ties	(4) 14 ga. X 10' (3.05 m) long	

TOTAL BALER WEIGHT: 1900 lbs. 862 kg



OPTIONS:

Bale Made Light
Electrical Disconnect Switch
Oil Heater
Wire Guides
(for front bale tie-off)



StockRoom Baler®



V-4224 StockRoom Vertical Baler – 1 1/2 HP

PERFORMANCE SPECIFICATIONS:

Cylinder	4 B X 2 1/2 R X 32 S	102 B X 64 R X 813 S
Pump	4.4 GPM, 2 stage	17 liters/min
Motor	1 1/2 HP, single phase	1.12 kW
System Pressure	1800 psi (2000 psi, max.)	124.0 bar (137.9 bar, max)
Platen Force	22,600 lbs	10.25 mT
Platen Face Pressure	27 psi (846 platen sq. in.)	186 kN/m ² (platen 0.55 m ²)
Cycle Time	39 seconds	
Control Voltage	120 VAC, single phase	
Control Box	NEMA 4; UL Listed box & controls (22 mm)	
Controls	OFF/ON security key switch; 3 Position Selector Switch; EMRG STOP	
PLC	Microprocessor, programmable relay	
Interlock Switches	Interlocks prevent the baler from operating when the feed gate or bale door is open except when operated in manual mode during bale ejection.	

OPTIONS:

- Bale Made Light
- Electrical Disconnect Switch
- Oil Heater
- Wire Guides
- (for front bale tie-off)

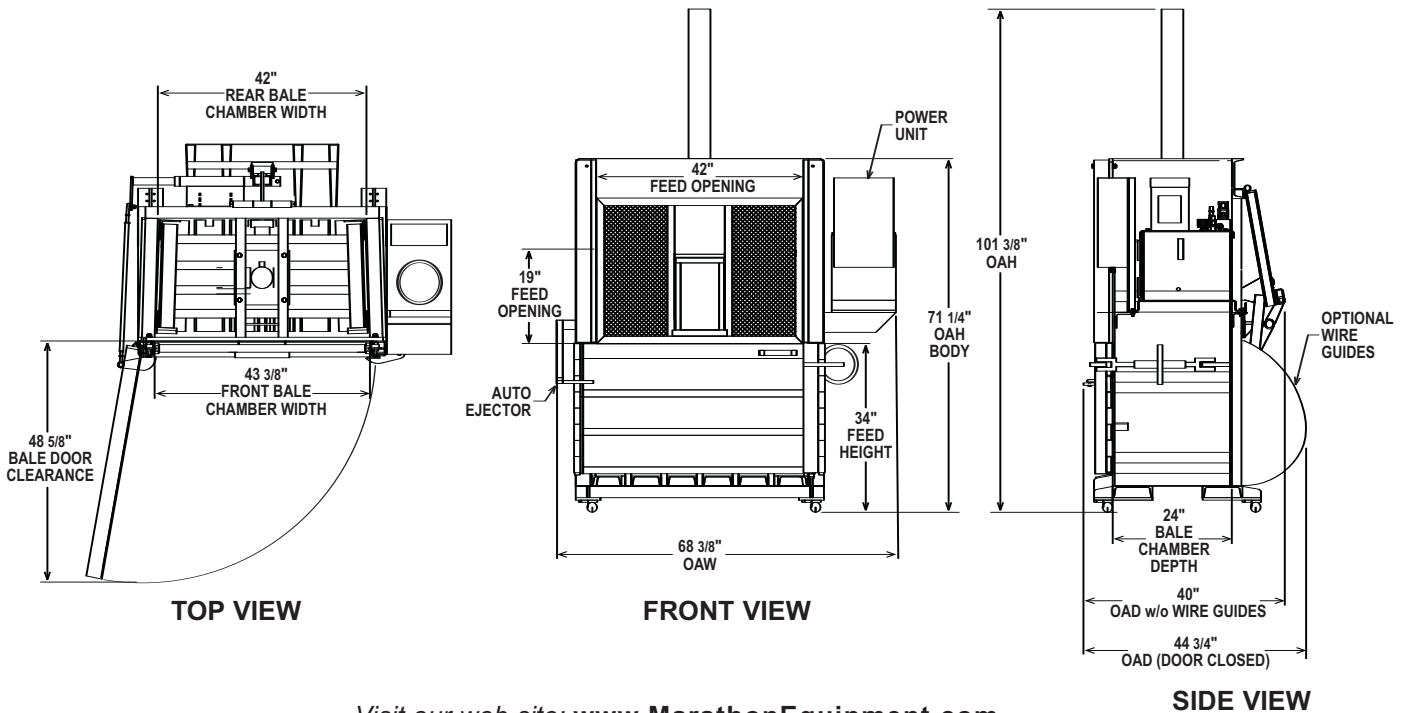
DIMENSIONAL SPECIFICATIONS: (same as 5 HP)

STRUCTURAL SPECIFICATIONS: (same as 5 HP)

BALE SPECIFICATIONS: (same as 5 HP)

TOTAL BALER WEIGHT: (same as 5 HP)

DRAWING FOR 5 AND 1.5 HP MODELS



Visit our web site: www.MarathonEquipment.com



MARATHON EQUIPMENT COMPANY

P.O. Box 1798 • Vernon, AL 35592-1798 USA • (205) 695-9105 fax (205) 695-7250 1-800-633-8974

130 Hwy. 339 • Yerington, NV 89447 USA • (775) 463-4030 fax (775) 463-4531 1-800-624-5724

1102 Industrial Park Rd. • Clearfield, PA 16830 USA • (814) 765-0200 fax (814) 765-2072 1-800-922-7062

Pictures in this literature are illustrative only. Specifications are subject to change without notice in order to accommodate improvements to the equipment. Certified in compliance with ANSI Regulation Z245.5 and all OSHA standards. Products must be used with safe practice and in accordance with said regulations and standards.

