

# HORIZONTAL BALERS

## Gemini®

Manual-Tie Horizontal Baler



*Gemini® 3560 Pictured*



## Gemini® Series Features

- ▼ Process a variety of materials such as PET, aluminum or steel cans, paper, plastics, OCC, newsprint, and more
- ▼ Hydraulic bale-door release
- ▼ Available in various feed hoppers, such as “Hand Feed”, Chute Feed, etc.
- ▼ Customizable for your application

## The Worldwide Leader in Quality Recycling and Compaction Equipment

Marathon® Equipment is known throughout the world as one of the leading manufacturers of quality on-site recycling products. The **Marathon** brand has been the industry standard for quality and innovation for more than 50 years, and includes auto-tie balers, manual-tie balers, two-ram balers, MRF systems, conveyors, vertical balers, auger-style compactors, cart dumpers, and a wide array of options for virtually any application.



# HORIZONTAL BALERS



## Gemini® Horizontal Baler

### Features



Gemini® 3560 Pictured

### Gemini® Horizontal Baler Standard Features

- ▼ Full-penetration ram for maximum compaction and full-bale ejection
- ▼ Reversible and adjustable bolt-in shear blade (Gemini® - Xtreme only)
- ▼ Twin cross cylinders with 20 HP motor
- ▼ 34-second cycle time
- ▼ Wire guides for quick and easy ties
- ▼ Hopper access door with interlock and viewing port
- ▼ Nylon runners for smooth ram operation
- ▼ Totally enclosed, fan-cooled (TEFC) motor for worry-free operation



#### Hydraulic Door Latch

Marathon® Gemini Series balers feature an hydraulic door latch



#### Touch Screen

The touch screen enables full automatic and manual control with one touch. Screens may be customized, password protected, and are designed with alarm, diagnostic, and help screens.

### Gemini® Horizontal Baler Optional Features

- ▼ Optional above floor or pit variable-speed conveyor



Gemini® Xtreme with Conveyor pictured



#### Power Unit

High-efficiency power unit with horsepower limited, pressure compensated piston pump.



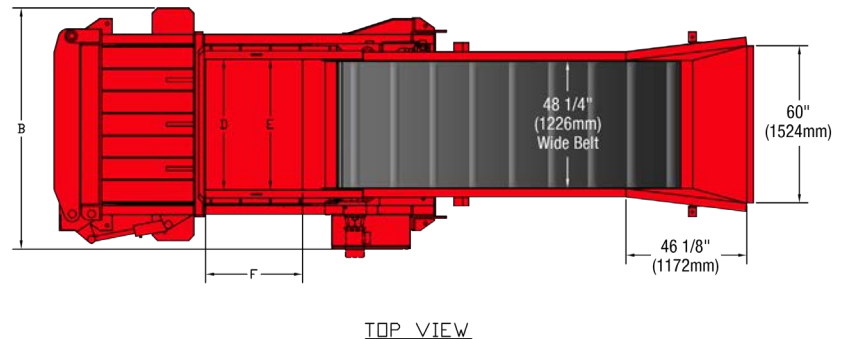
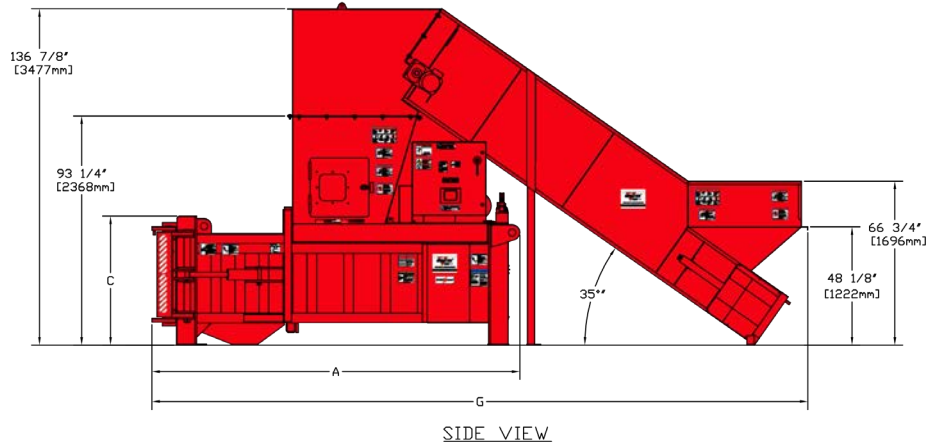
# HORIZONTAL BALERS



## Gemini<sup>®</sup> Horizontal Baler

### Dimensions & Specifications

Specifications	Gemini <sup>®</sup> 3560	Gemini <sup>®</sup> Xtreme
<b>Nominal Bale Size (H x L x W)</b>	30" x 48" x 60" 762mm x 1219mm x 1524mm	
<b>Baler Weight</b>	12,000 lbs. 5443 kg	17,600 lbs. 7983 kg
<b>Performance Characteristics</b>		
<b>Standard Operating Pressure</b>	2,450 psi 169 bar	3,000 psi 207 bar
<b>Platen Force</b>	120,000 lbs. 54431 kg	147,300 lbs. 66814 kg
<b>Platen Pressure</b>	68 psi 469 kPa	81.8 psi 564 kPa
<b>Cycle Time (partial penetration)</b>	34 seconds	
<b>Bale Weight (OCC)</b>	Up to 1,250 lbs. 567 kg	Up to 1,400 lbs. 635 kg
<b>Electrical Equipment</b>		
<b>Electric Motor 460 / 3-Phase</b>	20 hp / 15 kW	
<b>Electric Control Voltage</b>	120 VAC	
<b>Hydraulic Equipment</b>		
<b>Pump Capacity</b>	34 gpm / 129 L/min	
<b>Reservoir</b>	100 gal. / 379 L	
<b>Hydraulic Cylinder(s)</b>	2	
<b>Bore</b>	6" / 152mm	
<b>Rod</b>	4" / 102mm	
<b>Stroke</b>	57" / 1448mm	



Dimensions	(A) Structural Length	(B) Structural Width	(C) Body Height	(D) Charge Chamber Width	(E) Clear Top Width	(F) Clear Top Length	(G) Structural Length With Conveyor
<b>Gemini<sup>®</sup> 3560</b>	147 1/4"	86 7/8"	51 1/8"	60"	57"	35"	267 5/16"
	3740mm	2207mm	1299mm	1524mm	1448mm	889mm	6790mm
<b>Gemini<sup>®</sup> - Xtreme</b>	157 1/4"	89 15/16"	49 1/2"	60"	55 3/4"	35 3/8"	266 15/16"
	3994mm	2284mm	1257mm	1524mm	1416mm	899mm	6780mm

Pictures and mechanical diagrams in this literature are illustrative only and may not be to scale. Specifications are subject to change without notice in order to accommodate improvements to the equipment. Certified in compliance with ANSI standard Z245.2 and all applicable OSHA Regulations. Products must be used only by trained operators in accordance with the Operator Manual, as well as applicable regulations, laws, and ANSI standards.

#### We're Here To Help!

For detailed specifications, recommendations, or to request a site survey comparing various systems, contact the Marathon<sup>®</sup> Sales Team at [MarathonSales@MarathonEquipment.com](mailto:MarathonSales@MarathonEquipment.com)

#### Authorized Dealer:

Compactor & Baler Rental and Leasing Programs Available!



Sourcewell

Awarded Contract

Contract # 040621-MEC



Marathon Equipment Company | P.O. Box 1798 | Vernon, AL 35592-1798

Learn more about Marathon Equipment: 800.633.8974 | [www.marathonequipment.com](http://www.marathonequipment.com)