

SINGLE-AUGER COMPACTOR



ASC-210

Self-Contained Auger Compactor

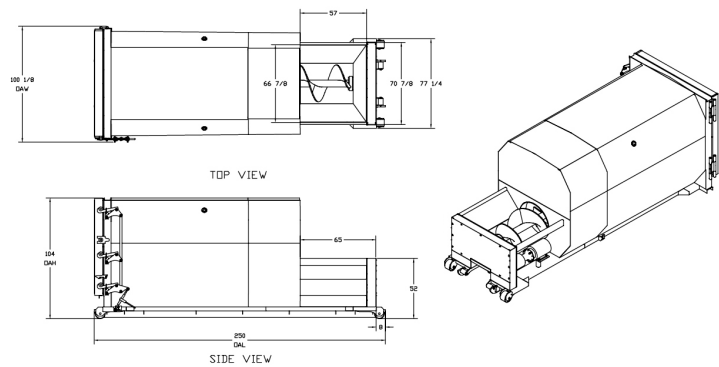
Marathon® ASC-210 Auger Compactors are easy to use and are maintenance-friendly. Its features include a short rear dimension for dock or rear feeding, and an innovative design, which eliminates spring back into the auger chamber. The ASC-210 is a reliable auger compactor that will provide years of dependable performance.



Some images shown with optional equipment

ASC-210 Features & Benefits

- ▼ *Increased payloads reduce transportation costs*
- ▼ *Minimize waste storage space on site*
- ▼ *Continuous forward auger-blade movement reduces waste buildup in the charge chamber, with no cavities in the chamber where waste can accumulate*
- ▼ *Easy to use and maintenance-friendly*
- ▼ *Always moves material forward*
- ▼ *Ideal for wet waste (such as processed medical or organic), but heavy-duty construction also allows for processing tough materials such as skids/pallets*
- ▼ *Whisper-quiet operation*
- ▼ *Eliminates all hydraulic oil*
- ▼ *Materials will not build up behind the auger*



ASC-210 SPECIFICATIONS

Weight	11,200 lbs.	5050 kg
Auger Diameter	36"	900mm
Penetration	13"	330mm
Performance Characteristics		
Auger Speed	9 rpm	
Electrical Equipment		
Electric Motor - 3/60/230-460	10 hp	7.5 kw

Pictures and mechanical diagrams in this literature are illustrative only and may not be to scale. Specifications are subject to change without notice in order to accommodate improvements to the equipment. Certified in compliance with ANSI standard Z245.2 and all applicable OSHA Regulations. Products must be used only by trained operators in accordance with the operator manual, as well as applicable regulations, laws, and ANSI standards.

For detailed specifications, recommendations, or to request a site survey comparing various systems, contact the Marathon® Sales Team at MarathonSales@MarathonEquipment.com

Authorized Dealer:



Marathon Equipment Company | P.O. Box 1798 | Vernon, AL 35592-1798

Learn more about Marathon Equipment: 800.633.8974 | www.marathonequipment.com

© 2022 Marathon Equipment Company. All rights reserved.