



Nextelintelligence[®]
Connected-Tech Training



BRONZE



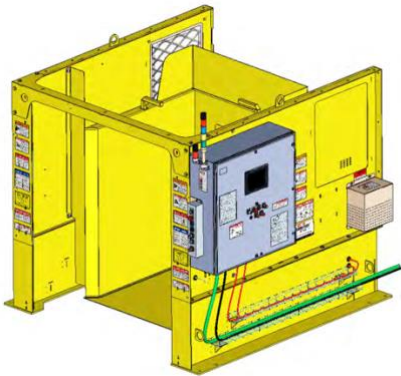
SILVER



GOLD



PLATINUM



2024 Marathon[®]
Service School Training

Service School Agenda

1. **Safety.** General Safety is always a must from everyday activities to well beyond using and working on equipment. Safety must always come first and be used and always maintained in everything we do. We will explain Lock Out/Tag Out and its importance.
2. **Major Components.** Location and system involvement of major components in the system.
3. **Marathon Products and Services.** We provide information on the Marathon product offering and the application of our product line.
4. **Electrical Symbols.** Learn electrical symbols to help understand circuits, certain ways electrical devices are wired and how they work are key elements for troubleshooting and understanding electrical schematics.
5. **Electrical schematic reading.** We teach the electrical schematic symbols for the components that make up the Marathon control panels.
6. **Hydraulic schematic.** Hydraulic Schematics, like Electrical Schematics, are road maps for the Hydraulic Systems showing detailed hydraulic routings and independent mapping. Learning how to read schematics will help you understand hydraulic circuits and where to find certain hydraulic components and connections. Reading Hydraulic Schematics is essential for troubleshooting the hydraulic system.
7. **Electrical panel boxes.** Day two is a full day of actual "hands on" equipment identification and their operation. We will wire panels and simulate or discuss faults that may arise in the field.
8. **Preventative maintenance.** We include proper preventative maintenance schedules and discuss the importance of maintaining the equipment.
9. **ANSI.** Information covering ANSI safety guidelines.
10. **Open discussion.** Roundtable question and answer periods.
11. **Plant Tour.** We give the attendees a tour of the facility and show how the Marathon product is assembled in the factory.



2024 FACTORY Service School Training Schedule

Factory Training Dates*	Product	Time
August 13 th , 14 th , and 15 th	RamJet Service School	8am – 4:30pm CST
November 5 th , 6 th , and 7 th	RamJet Service School	8am – 4:30pm CST

- Maximum number of students = 12
- Minimum number of students = 8
- If the minimum number is not confirmed 3 weeks prior to the start of the class, then the class *can* be canceled at the instructor's discretion.
- Students will be given a Service Manual (\$250 Value) for the product and a training manual containing the electrical and hydraulic exercises covered in class.
- Class will start promptly at 8am CST each day.
- Lunch is scheduled from noon until 1:00 P.M. All students must wear long pants. Steel toed shoes on Thursday if attending plant tour. Safety glasses and visibility vests will be provided.
- This is a tobacco free facility. Please plan accordingly.
- **Please email nextelligence@doveresg.com to schedule on-site training classes.**

Parking is available behind the Engineering Building across the road from the manufacturing facility.



Enrollment Info, Plant Location, Airport, and Hotel Recommendations

Enrollment Info:

For enrollment, email the training department at:
nextelligence@doveresg.com

Please be prepared to provide the following.

- Class Date
- Student Name and email
- PO for Billing – this is a unique number/letter combo that confirms we have permission to bill you. It can be formal or informal, but this is required.

Plant Location:

Marathon Equipment Co.
909 County Hwy 9 South
Vernon, AL 35592

Recommended Airport:

Golden Triangle Regional Airport
2080 Airport Road
Columbus, MS 39701

Approximate 50-minute drive from the Marathon Facility



Nextelligence®

Connected-Tech Training



BRONZE



SILVER



GOLD



PLATINUM

Recommended Hotels



Hyatt Place Columbus
101 Hospital DR
Columbus, MS 39701

TEL: (662) 370-1800



Hampton Inn & Suites
1915 6th St N
Columbus, MS 39701

TEL: (662) 345-1805



Holiday Inn Express & Suites
2000 6th St N
Columbus, MS 39701

TEL: (662) 245-6133



AN IHG® HOTEL



Fairfield Inn & Suites by Marriott
2011 6th St N
Columbus, MS 39701

TEL: (662) 241-1990



Recommended Hotels are an approximate 40-minute drive to the Marathon facility



2024 Marathon Service School Training



Nextelligence[®]

Connected-Tech Training



BRONZE



SILVER



GOLD



PLATINUM



Visit the Marathon Service Shack for videos

www.marathonequipment.com/video-type/service-shack/

Thank You



**2024 Marathon
Service School Training**